

FM Stereo FM-AM Receiver

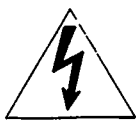
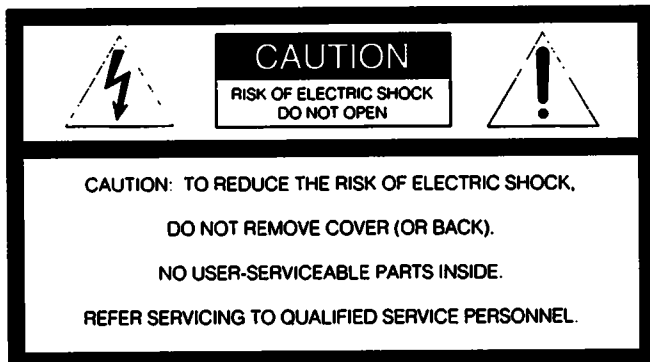
Operating Instructions

***STR-D915
STR-D715***

Warning

WARNING

To prevent fire or shock hazard, do not expose the unit to rain or moisture.



This symbol is intended to alert the user to the presence of uninsulated "dangerous voltage" within the product's enclosure that may be of sufficient magnitude to constitute a risk of electric shock to persons.



This symbol is intended to alert the user to the presence of important operating and maintenance (servicing) instructions in the literature accompanying the appliance.

Note to CATV system installer

This reminder is provided to call the CATV system installer's attention to Article 820-40 of the NEC that provides guidelines for proper grounding and, in particular, specifies that the cable ground shall be connected to the grounding system of the building, as close to the point of cable entry as practical.

Owner's Record

The model number is located on the rear exterior and serial number is on the rear. Record the serial number in the space provided below. Refer to these numbers whenever you call upon your Sony dealer regarding this product.

Model No. STR-D915
Model No. STR-D715

Serial No. _____
Serial No. _____

INFORMATION

This equipment has been tested and found to comply with the limits for a Class B digital device, pursuant to Part 15 of the FCC Rules.

These limits are designed to provide reasonable protection against harmful interference in a residential installation. This equipment generates, uses, and can radiate radio frequency energy and, if not installed and used in accordance with the instructions, may cause harmful interference to radio communications. However, there is no guarantee that interference will not occur in a particular installation. If this equipment does cause harmful interference to radio or television reception, which can be determined by turning the equipment off and on, the user is encouraged to try to correct the interference by one or more of the following measures:

- Reorient or relocate the receiving antenna.
- Increase the separation between the equipment and receiver.
- Connect the equipment into an outlet on a circuit different from that to which the receiver is connected.
- Consult the dealer or an experienced radio/TV technician for help.

CAUTION

You are cautioned that any changes or modifications not expressly approved in this manual could void your authority to operate this equipment.

WARNING

To prevent shock hazard, do not insert the plug cut off from the mains lead into a socket outlet. This plug cannot be used and should be discarded.

If the plug supplied with this appliance has detachable fuse cover, be sure to attach the fuse cover after you change the fuse. Never use the plug without the fuse cover. If you should lose the fuse cover, please contact your nearest Sony service station.

For the customers in Canada

CAUTION :

TO PREVENT ELECTRIC SHOCK, DO NOT USE THIS POLARIZED AC PLUG WITH AN EXTENSION CORD, RECEPTACLE OR OTHER OUTLET UNLESS THE BLADES CAN BE FULLY INSERTED TO PREVENT BLADE EXPOSURE.

This apparatus complies with the Class B limits for radio noise emissions set out in Radio Interference Regulations.

Table of Contents

Introduction

Overview	4
Precautions	4

Chapter 1 Getting Started

Unpacking	5
Checking the Supplied Accessories	5
Inserting Batteries into the Remote Commander	5
Hooking Up the System	6
Notes on Connections	6
Connecting Audio Equipment	6
Connecting Video Equipment	6
Connecting an FM Antenna	7
Connecting the Antenna Ground	7
Connecting an AM Antenna	7
Connecting Speaker Systems	8
Connecting to the AC Power Outlet	8

Chapter 2 Basic Operations

Listening to/Watching a Program Source	9
Selecting a Program Source	9
Selecting the Speaker System	9
Adjusting the Audio	9
Labeling the Program Source	10
To Turn Off the Power at the Desired Time (The Sleep Timer Function)	10
Receiving Broadcasts	11
Tuning in a Station Directly (Direct Tuning)	11
Automatic Tuning	12
Presetting Stations	12
Tuning in a Preset Station (Preset Tuning)	13
Labeling the Preset Stations (Station Index)	14
Selecting a Station among the Preset Stations in the Index (Index Tuning)	15
Receiving FM Simulcast TV Programs	15
Remote Controls	16
Using the Remote	16
Changing the Settings of the FUNCTION Buttons	17

Chapter 3 Advanced Operations

Recording an Audio Source	18
Recording on a Tape	18
Editing a Video Source	18
Recording on a Video Tape	18
Adding New Sound on a Video Tape during Video Editing	19

Obtaining the Surround Sound	20
Placement of Speakers and Selecting the CENTER MODE for Dolby Surround Sound	20
Adjusting the Speaker Volume	21
Adjusting the Delay Time of the Rear Speakers	22
Sound Field Settings	23
Available Type of Effects	23
Adjusting the Sound Field Programs	24
Calling up the Sound Field Setting	25

Chapter 4 Other Information

Troubleshooting Guide	26
Specifications	28
Identifying the Parts and Controls	31
Front Panel	31
Remote Commander (Except for the STR-D915 for Canadian Model)	32
Quick Reference	33

Overview

The STR-D915/D715 is an FM Stereo/FM-AM receiver and audio/video control center.

You can enjoy various audio/video program sources with this unit.

TV/video programs

- You can enjoy TV or CATV programs with FM simulcast.
- Sounds from various audio program sources can be added on video tapes during editing.

Tuner

- Precise tuning is ensured by a quartz locked digital synthesizer.
- Station Index system allows you to tune into a station quickly.

DOLBY* PRO LOGIC

In the DOLBY SUR or THEATER mode, the center mode can be selected. The Dolby Pro Logic Surround Decoder has the same functions for playback as movie theaters and gives a theater-like experience in your listening room, naturally reproducing the audio sound field.

- * Manufactured under license from Dolby Laboratories Licensing Corporation. Additionally licensed under one or more of the following patents: U.S. number 3,959,590; Canadian numbers 1,004,603 and 1,037,877. "DOLBY", "Pro Logic", and the double-D symbol are trademarks of Dolby Laboratories Licensing Corporation.

Sound field (combination of digital delayed surround and tone controls)

- 6 recommended sound field programs (DOLBY SUR, THEATER, LIVE, HALL, DANCE, ACOUSTIC) are preset in the factory for easy use. You can also store up to 6 settings you created in the memory.
- Combined use of the sound field programs and the preset stations or program source allows you to enjoy broadcast or program source listening immediately with the memorized 6 settings of sound field (DOLBY SUR, THEATER, LIVE, HALL, DANCE, ACOUSTIC).

Remote commander

The supplied remote commander allows you to remotely control this receiver and the equipments connected to the receiver.

For the instruction of the remote commander, see pages 16 and 17.

As for the instruction of the remote commander for STR-D915 Canadian model, see the operating instructions of the separate volume.

Precautions

On safety

- For the U.S.A. and Canadian models, operate the unit only on 120 V AC, 60 Hz.
- For Australian model, operate the unit only on 240 V AC, 50 Hz.
- Should any solid object or liquid fall into the cabinet, unplug the unit and have it checked by qualified personnel before operating it any further.
- Unplug the unit from the wall outlet if it is not to be used for an extended period of time. To disconnect the cord, pull it out by grasping the plug. Never pull the cord itself.
- One blade of the plug is wider than the other for the purpose of safety and will fit into the power outlet only one way. If you are unable to insert the plug fully into the outlet, contact your dealer. (except for Australian model)
- The unit is not disconnected from the AC power source (mains) as long as it is connected to the wall outlet, even if the unit itself has been turned off.

On operation

Before making program source connections, be sure to turn the power switch off and unplug the unit.

To prevent internal heat buildup in the unit, place the unit in a location with adequate air circulation.

Do not install the unit:

- near heat sources such as radiators or air ducts.
- in a place subject to direct sunlight, excessive dust, mechanical vibration or shock.

Do not place anything on top of the cabinet.

The top ventilation holes must be unobstructed for the proper operation of the unit and to prolong the life of its components.

On cleaning the cabinet

Clean the cabinet, panel and controls with a soft cloth lightly moistened with mild detergent solution. Do not use any type of abrasive pad, scouring powder, or solvent such as alcohol or benzine.

For the customers in the U.S.A.

For detailed safety precautions, see the "IMPORTANT SAFEGUARDS" leaflet.

If you have any question or problem concerning your unit, please consult your nearest Sony dealer.

Unpacking

Do not throw away the carton and packing material!
It will be an ideal container when transporting the system for repair work, etc.

Checking the Supplied Accessories

After unpacking, check that the following accessories are present.

- FM wire antenna (1)
- AM loop antenna (1)
- Remote commander (1)
- Sony batteries SUM-3 (NS) (2)

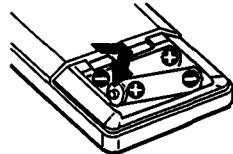
Inserting Batteries into the Remote Commander

Before operating the remote commander, install the batteries as shown below.

1 Open the cover.



2 Insert two size-AA (R6) batteries with correct polarity.



To avoid damage caused by battery leakage and corrosion

When the commander will not be used for a long time, remove the batteries.

Battery life

Normal operation can be expected about a half year using Sony SUM-3 (NS) (size-AA), and a year using Sony AM-3 (NW) (size-AA) alkaline batteries.

When the batteries are run down, the remote commander will not operate the unit. In this case, replace both batteries with new ones.

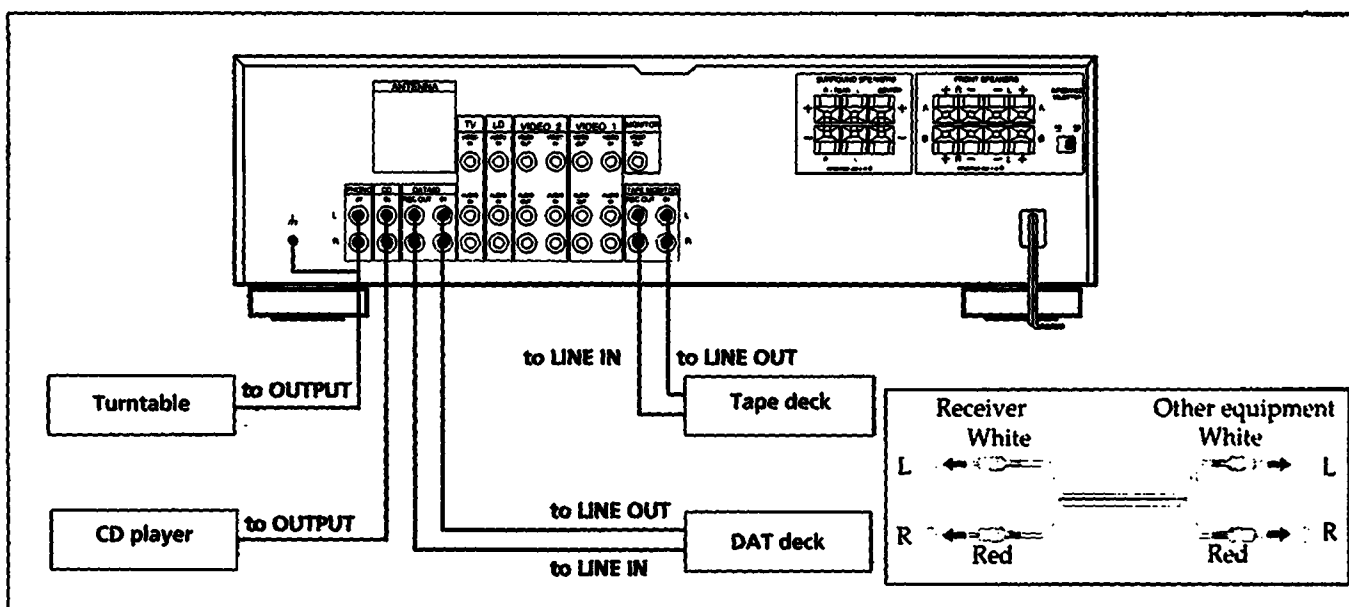
Hooking Up the System

Notes on Connections

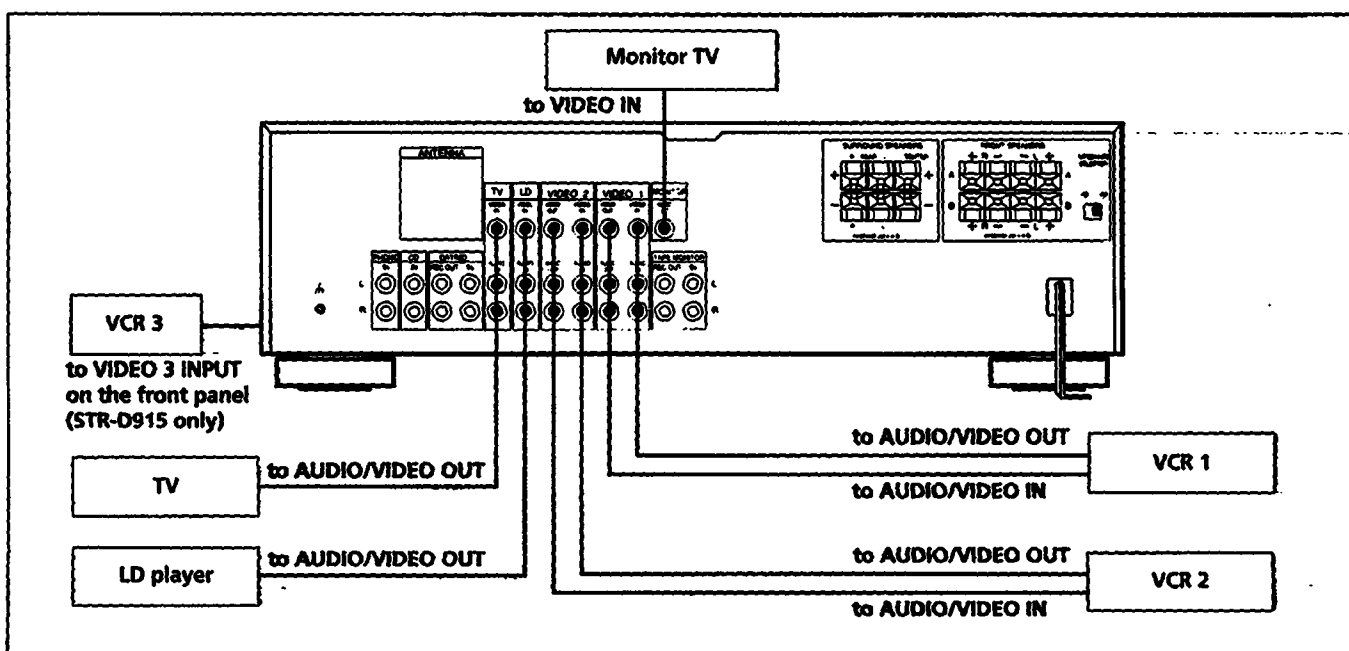
At first, this section describes about the connection with the other equipments, the antenna connection, speaker connection and then the AC power connection.

- Do not connect the power cord to an AC wall outlet until you complete other connection.
- The cable connectors should be fully inserted into the jacks. Loose connection may cause hum and noise.
- Jacks and plugs of the connecting cord are color-coded as follows:
 Red jacks and plugs: For the right channel of audio signals
 White jacks and plugs: For the left channel of audio signals
 Yellow jacks and plugs: For video signals

Connecting Audio Equipment

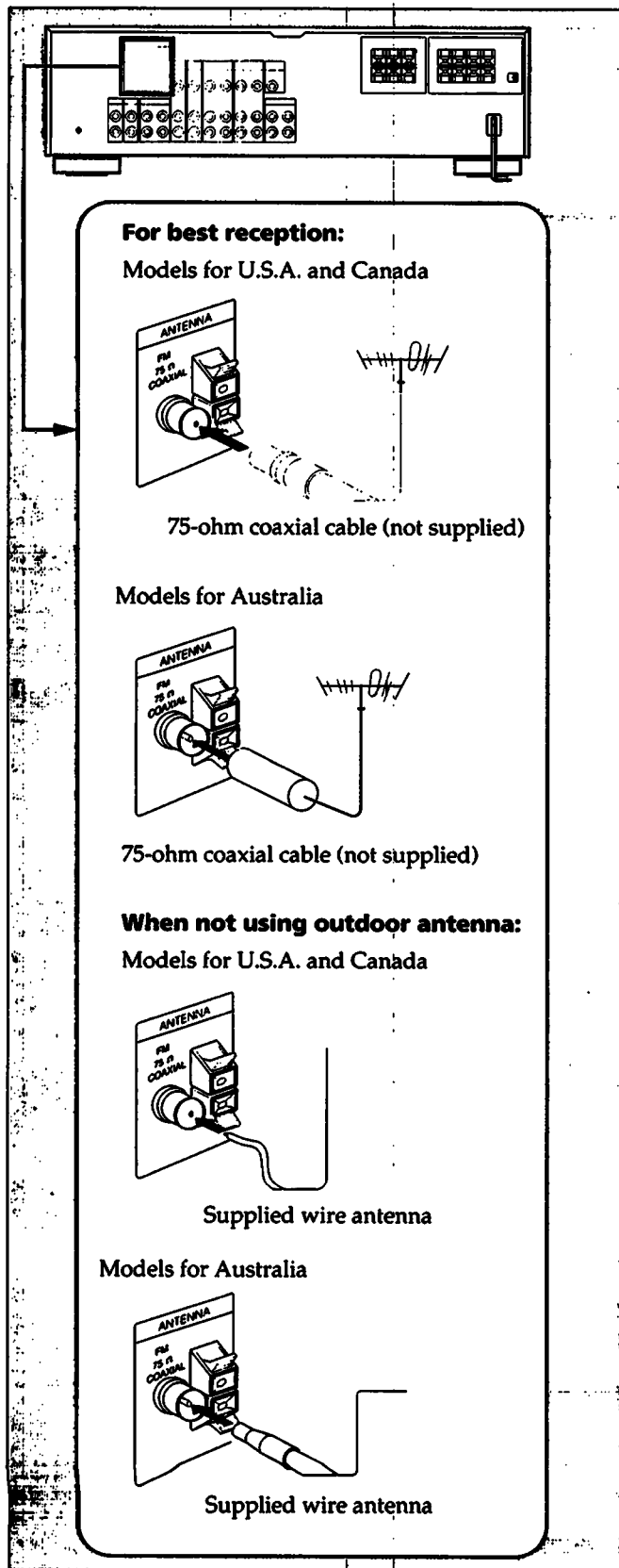


Connecting Video Equipment



Connecting an FM Antenna

Though the wire antenna is supplied with this unit, the higher quality sound will be obtained with the 75-ohm coaxial cable. (not supplied)



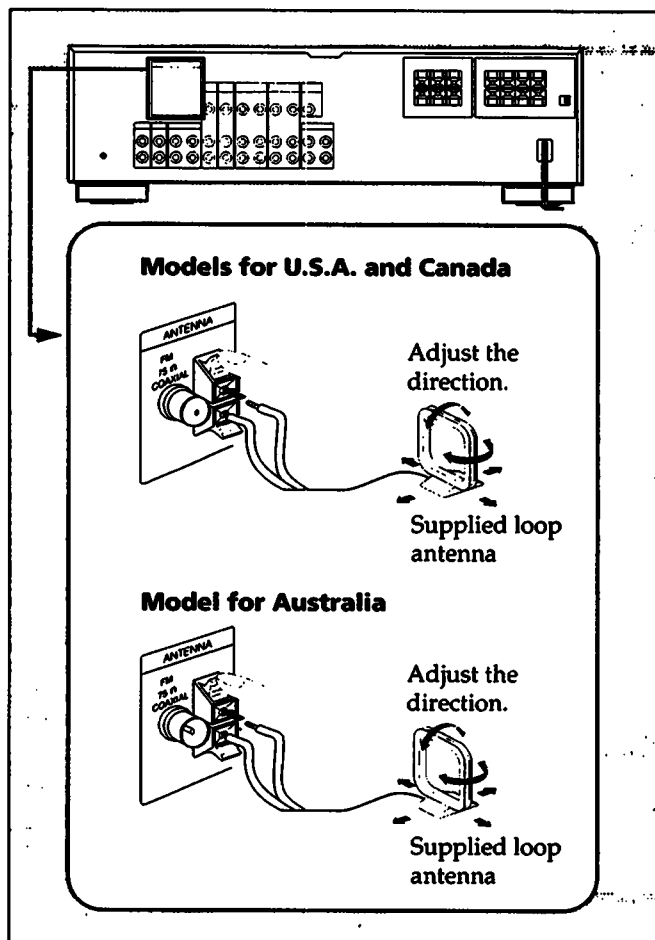
Connecting the Antenna Ground

To prevent hum, connect the ground wire to ANTENNA ground terminal (h).

When an outdoor antenna is installed, be sure to connect the ground wire for lightning protection.

Connecting an AM Antenna

The AM broadcast is adequate with the supplied AM loop antenna. However, the connection of insulated wire is also available for areas with difficult AM reception.



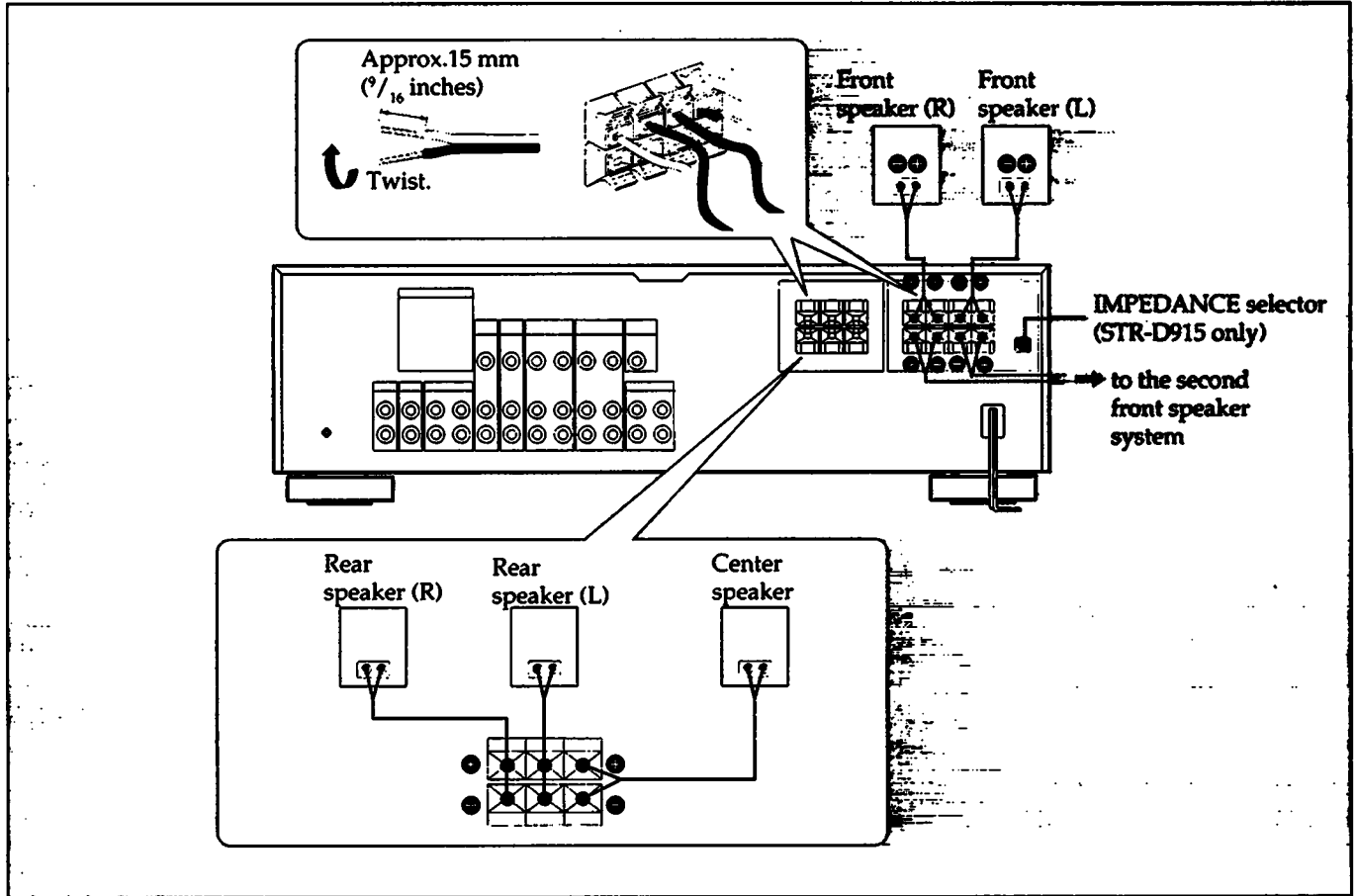
AM antenna extension

For best reception, attach a length of insulated wire (6 - 15 m long) to the AM ANTENNA terminal in addition to the loop antenna.

Hooking Up the System

Connecting Speaker Systems

You can connect front, rear and center speakers to this unit.



On the IMPEDANCE selector (STR-D915 only)

The STR-D915 has the IMPEDANCE SELECTOR for front speakers.

When using the front speakers having nominal impedance from 4 ohms or higher, set to the 4 Ω position.

When using the front speakers having nominal impedance from 8 ohms or higher, set to the 8 Ω position.

Note

Use the front speakers having nominal impedance of more than 8 ohms in the SURROUND mode.

Note

When connecting the speaker cord to the speaker terminal, make sure that the polarity (+ and -) of the speaker cord is correct. If the polarity is reversed at either speaker, the sound will be distorted and will lack bass.

Connecting to the AC Power Outlet

Connect the AC power cord to the wall outlet last of all. By connecting the power cord of the other audio equipment to SWITCHED AC OUTLET, this unit can supply the power source to the other audio equipment.

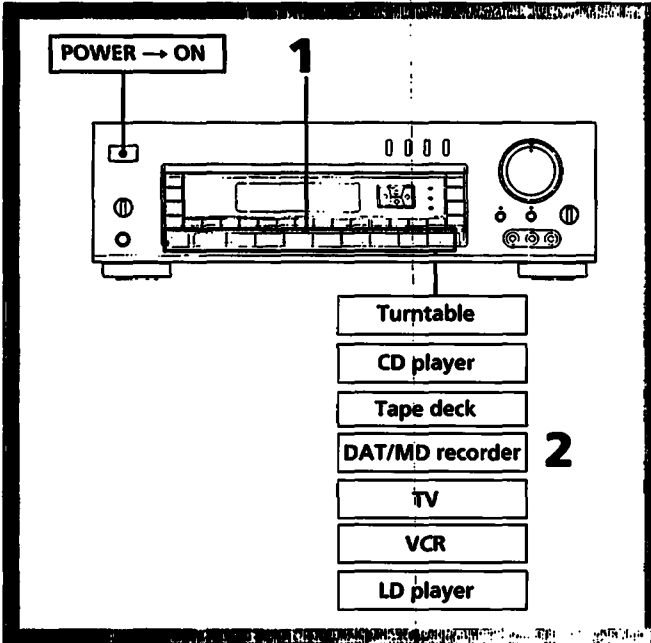
Caution

Be careful that the total power consumption of each equipment connected to the outlets on the receiver does not exceed 120 watts (for U.S.A. and Canadian models) or 100 watts (for Australian model).

Do not connect electrical home appliances such as an electric iron, fan, TV, or other high-wattage equipment to these outlets.

Listening to/Watching a Program Source

Selecting a Program Source



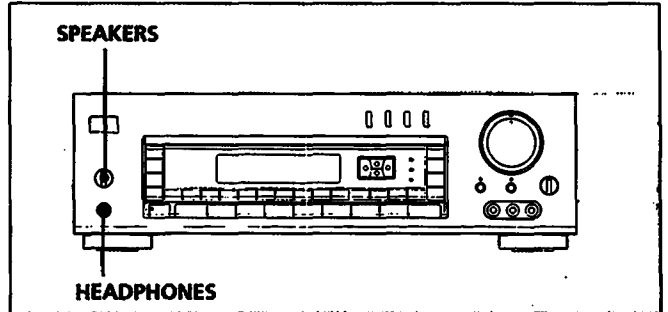
1 Select the program source.

To listen to or watch	Press
Phono record	PHONO
Radio Broadcast	TUNER
Compact disc	CD
DAT or MD program	DAT/MD
Taped program	TAPE MONITOR
Video program	TV, LD, VIDEO 1, VIDEO 2 (and VIDEO 3 for STR-D915)

When a function selector is pressed, the indicator of the function you have selected appears on the display. Select the function with the remote commander, the power switches of both this receiver and the selected equipment connected to the AC outlets on the receiver are turned on.

2 Start the selected program.

Selecting the Speaker System

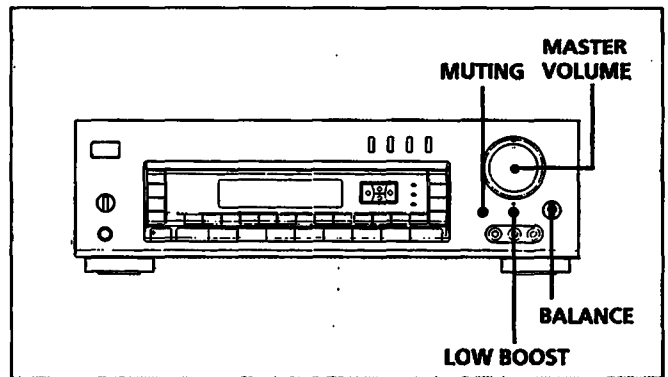


To drive speaker system A: Set SPEAKERS to A.
 To drive speaker system B: Set SPEAKERS to B.
 To drive both speaker systems A and B (series connection): Set SPEAKERS to A + B.
 For headphone listening: Connect headphones to HEADPHONES and set SPEAKERS to OFF.

IMPORTANT

Speaker systems A and B are connected in series. When only one speaker system is connected, no sound can be heard at the A + B position.

Adjusting the Audio



Adjusting volume

Turn MASTER VOLUME.

Reducing the sound to a low level temporarily (- 20 dB attenuation)

Press MUTING. The indicator lights up. Press again to restore the same listening level as before and indicator goes off.

Adjusting the left and right sound balance

Adjust BALANCE to correct stereo imaging, when the speaker position is not symmetrical.

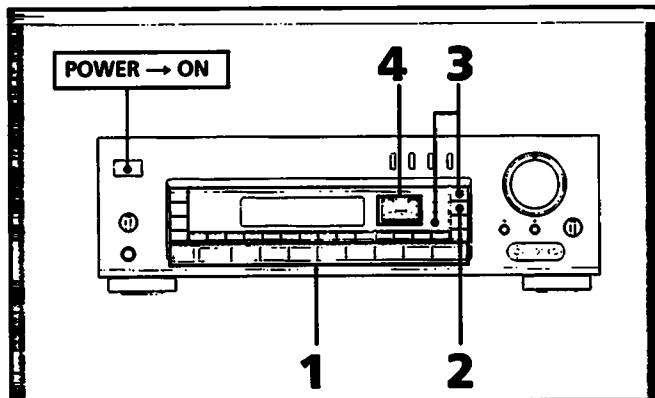
Reinforcing the Bass

Press LOW BOOST so that LOW BOOST indicator lights up. Press again to turn off the effect.

Listening to/Watching a Program Source

Labeling the Program Source

You can create and input a name for each function button as you like (except TUNER). You can use up to 11 letters for each name.

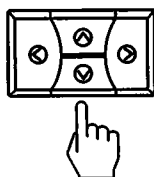


1 Select the program source (except TUNER).

2 Press DISPLAY if "INDEX MODE" is not displayed.

3 Press DPC MODE repeatedly until the INDEX indicator lights up.

4 Create an index name.



To select a letter (A to Z) or number (1 to 9), press ^ or v.
To change the position, press < or >.

5 Repeat steps 1 to 3 for all other program sources you want to assign an index name to.

If you input an already stored source under any other index name

Only the last selected index name will be valid. Each program source can be stored under only one index name.

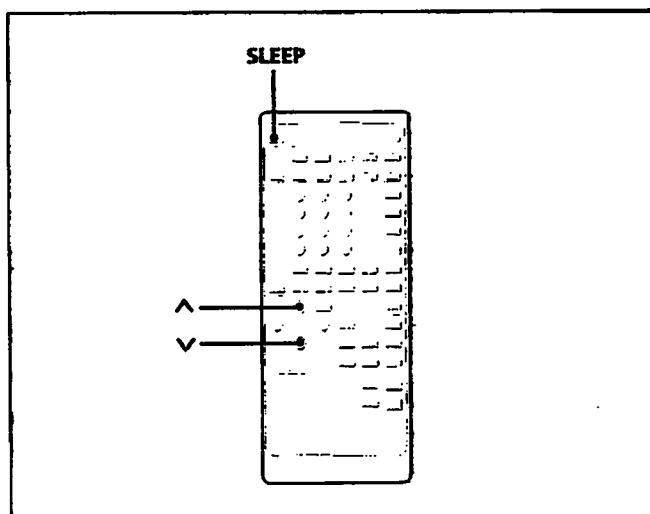
To switch the original function name display and created index name display

Each time the DISPLAY is pressed, the selected function name (which corresponds to the function selector) and the created index name are alternately displayed.

To Turn Off the Power at the Desired Time (The Sleep Timer Function)

This function can be operated only with the remote commander.

This receiver has the sleep timer function. With this function, you can turn off the power automatically at the desired time by designating the turn-off time. Press SLEEP on the remote commander when the power is on. Each time SLEEP is pressed, the designating time is displayed in the following order: 2 hours → 1 hour and 30 minutes → 1 hour → 30 minutes → SLEEP OFF. When the sleep timer function is turned on, the display becomes dim.



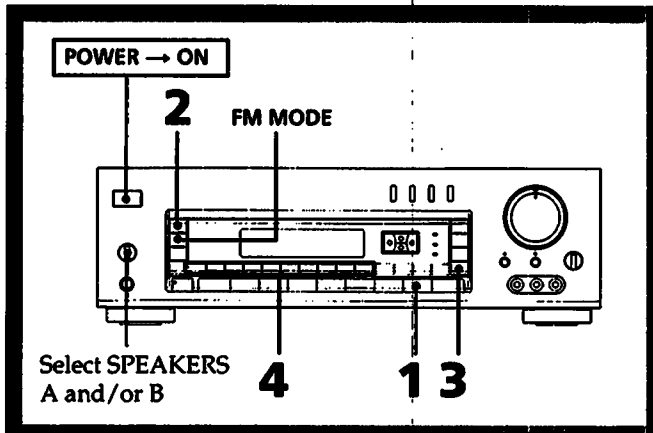
To change the turn-off time

1 Press SLEEP. The sleep time is displayed.
2 Press ^ or v to change the sleep time. The sleep time is changed by 1 minute. It can be changed up to 5 hours.

To check the remaining time of the sleep timer
Press SLEEP. The remaining time is displayed.

Receiving Broadcasts

Tuning in a Station Directly (Direct Tuning)



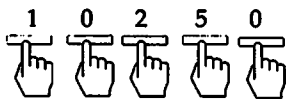
1 Press TUNER.

2 Press FM/AM to select FM or AM.

3 Press DIRECT.

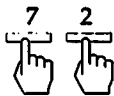
4 Press the appropriate numeric buttons to enter the frequency. (See examples below.) The entered frequency is displayed.

Example 1: FM 102.50 MHz



FM 102.50MHz

Example 2: AM 720 kHz



AM 720kHz

Note on AM tuning

You have to enter the last "0" for Australian model.

To correct the entered frequency

Repeat steps 3 to 4.

If you enter a frequency not covered by the tuning interval

The entered value is automatically rounded up or down to the closest value covered by the tuning interval.

Tuning intervals for direct tuning are the followings:

FM: 50 kHz interval

AM: 10 kHz interval (for U.S.A. and Canadian models)

9 kHz interval (for Australian model)

(To switch the tuning interval between 9 kHz and 10 kHz, see page 29.)

When the entered frequency does not exist in the receivable frequency range

The entered digits (up to 5 digits for FM or up to 4 digits for AM) blink in the frequency display area, and reception does not take place.

If this occurs, press DIRECT again, and enter the correct frequency. The frequency range of the receiver is 87.50 to 108.0 MHz for FM, and 530 to 1710 kHz with 10 kHz interval (U.S.A. and Canadian models) or 531 to 1602 kHz with 9 kHz interval (Australian model) for AM.

When an FM stereo program is noisy

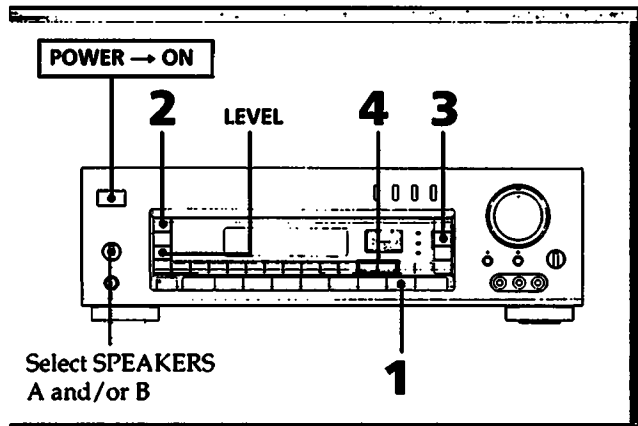
When the unit receives an FM stereo program, the STEREO indicator lights in the display window. If the stereo program is noisy, press FM MODE to change the mode over to MONO. This eliminates the stereo effect, but the noise will be greatly reduced.

To return to the stereo mode, press FM MODE again.

Receiving Broadcasts

Automatic Tuning

If you do not know the frequency of the station, use automatic tuning.



1 Press **TUNER**.

2 Press **FM/AM** to select **FM** or **AM**.

3 Press **DISPLAY** if the frequency is not displayed.

4 Press **INDEX SELECT/TUNING +** or **-**.
For a higher frequency, press **INDEX SELECT/TUNING +**.
For a lower frequency, press **INDEX SELECT/TUNING -**.

When a station is received, automatic tuning stops automatically. Press + or - until the desired station is received.

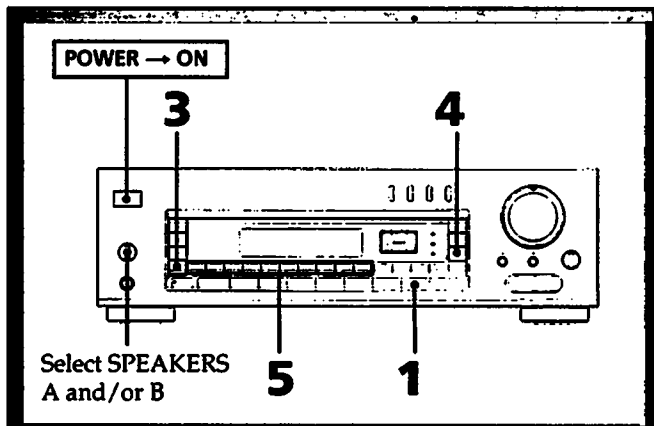
If the automatic scan stops frequently (or FM reception only)

to receive only stations with strong signals, press **LEVEL**. **HIGH** appears on the display.

to receive all receivable stations again (including stations with weaker signals), press **LEVEL** until **HIGH** goes off.

Presetting Stations

You'll most likely want to preset the stations you listen to often. The receiver can store a total of 30 FM or AM stations.



1 Press **TUNER**.

2 Tune in the desired station.
(See "Direct Tuning" on page 11 or "Automatic Tuning" in the left column.)

3 Press **MEMORY**.
"MEMORY" appears for a few seconds.

4 Press **SHIFT** to select the memory page (**A**, **B** or **C**) while "MEMORY" is displayed.

Each time **SHIFT** is pressed, **A**, **B** or **C** appears cyclically on the display.

5 Press the desired numeric button (**1** to **0**) while "MEMORY" is displayed.

Repeat steps from 2 through 5 for presetting other desired stations.

Use of memory pages

The memory pages (**A**, **B** and **C**) can be used to classify stations according to the music category, station band, etc.

Replacing a preset station

Preset another station on the number of the station to be replaced. The previously preset station will be erased.

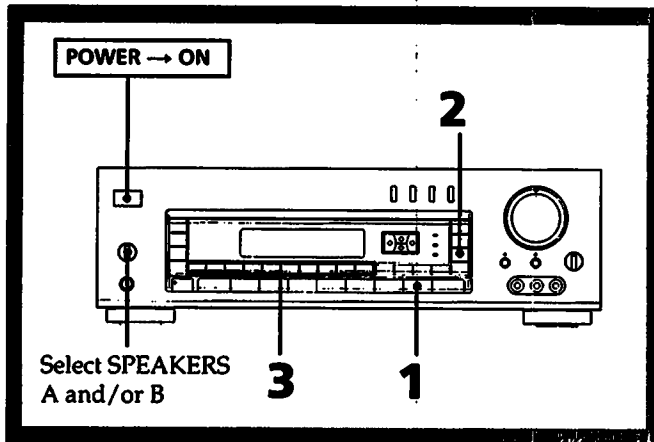
IMPORTANT

The memorized station is maintained for approximately one month even if the power cord is disconnected from the AC wall outlet. If they are erased, store the stations again.

Tuning in a Preset Station (Preset Tuning)

There are two ways to perform the preset tuning. In method A (the direct tuning), select by designating the desired preset station number directly with the numeric buttons. In method B (the scan tuning), select the preset station with the PRESET TUNING +/- button.

Method A: Direct tuning

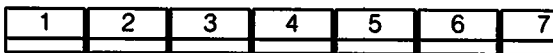


1 Press **TUNER**.

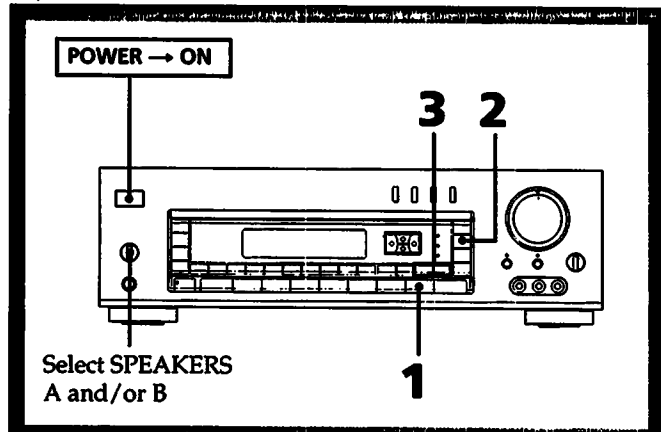
2 Press **SHIFT** to select the memory page (A, B, or C).

Each time **SHIFT** is pressed, A, B or C appears cyclically on the display.

3 Press the numeric buttons to designate the desired preset station number.



Method B: Scan tuning



1 Press **TUNER**.

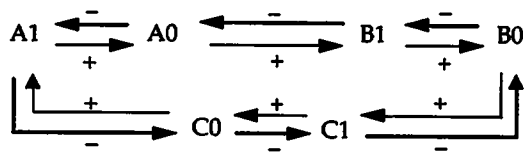
2 Press **DISPLAY** if the frequency is not displayed.

3 Press **PRESET TUNING +** or **-** to select the desired preset station.

For a higher preset number, press **PRESET TUNING +**.

For a lower preset number, press **PRESET TUNING -**.

Each time you press + or -, the preset station of the next higher or lower number is tuned in.

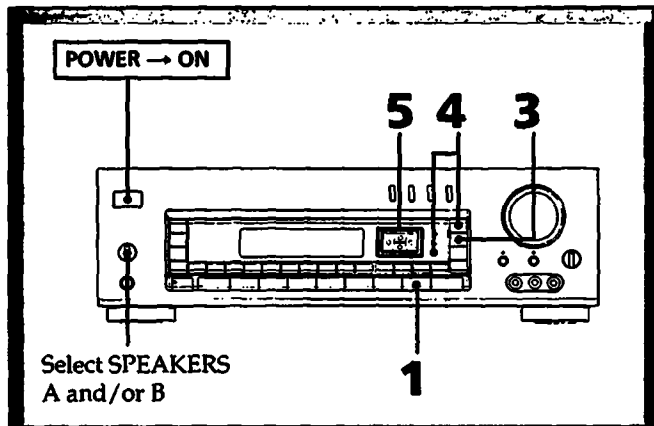


- If you keep pressing + or -, preset stations are successively tuned in. Release the button when the desired preset station is tuned in.

Receiving Broadcasts

Labeling the Preset Stations (Station Index)

You can divide preset stations under index names you create (up to 5 characters). If you want to categorize the preset stations by kinds of music, for example, create indexes such as ROCK, JAZZ, etc.



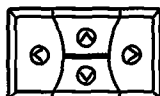
1 Press TUNER.

2 Tune in the desired station with Preset Tuning on page 13.

3 Press DISPLAY if "INDEX MODE" is not displayed.

4 Press DPC MODE repeatedly until the INDEX indicator lights up.

5 Create an index name.



To select a letter (A to Z) or number (1 to 4), press \wedge or \vee .

To change the position, press \lt or \gt .

6 Repeat steps 2 through 4 for all other stations you want to assign an index name to.

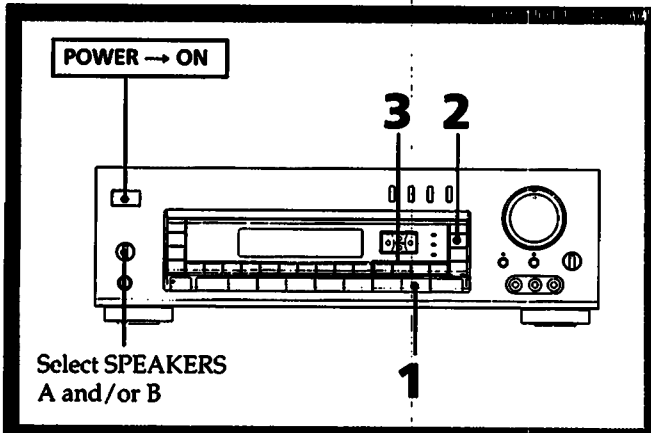
If you store an already categorized station under any other index name

Only the last selected category will be valid. Each station can be stored under only one index name.

To display the frequency and index name of preset stations

Each time DISPLAY is pressed, frequency and index name of the preset station are alternately displayed.

Selecting a Station among the Preset Stations in the Index (Index Tuning)



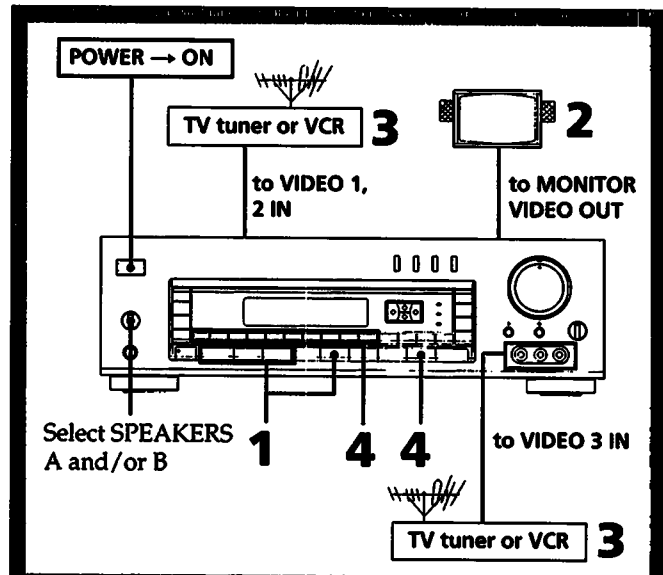
1 Press TUNER.

2 Press DISPLAY to set to the INDEX mode. When no index name is memorized, "-----" appears on the display.

3 Select the desired station.

- To select a station in the same index:
For a higher preset number, press PRESET TUNING +.
For a lower preset number, press PRESET TUNING -.
- To select a index station under other index name:
Press INDEX SELECT/TUNING - or + to display the desired index name.
For a higher preset number, press PRESET TUNING +.
For a lower preset number, press PRESET TUNING -.

Receiving FM Simulcast TV Programs

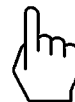
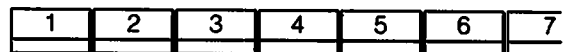


1 Select VIDEO 1, VIDEO 2, VIDEO 3 (STR-D915 only) or TV according to an equipment to which the VHF antenna is connected. "VIDEO 1", "VIDEO 2", "VIDEO 3" or "TV" appears on the display.

2 Turn on the monitor TV.

3 Select the desired program on the TV tuner or the VCR.

4 Press TUNER and tune in the FM simulcast TV program with a numeric button on the receiver.



Remote Controls

Using the Remote

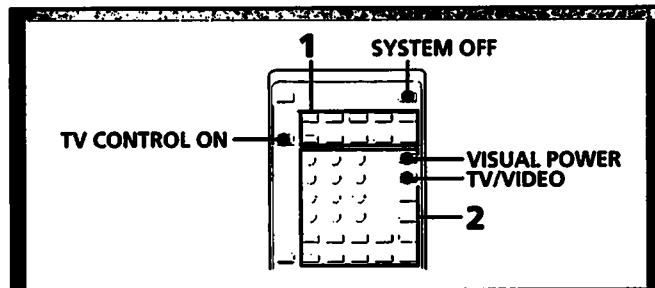
The remote lets you operate the connected components as well as the receiver. Press one of the FUNCTION buttons first to select the program source, then use the following buttons to operate each component.

The FUNCTION buttons are factory set in the following list.

FUNCTION to be pressed	Operating equipment
TUNER	Tuner
TAPE	Tape deck A
DAT/MD	DAT deck
TV	TV
LD	LD player
VIDEO 1	VCR (VTR 1 mode)
VIDEO 2	VCR (VTR 2 mode)
VIDEO 3 (STR-D915 only)	VCR (VTR 3 mode)
CD	CD player
PHONO	(The receiver enters the PHONO mode)

This remote commander can control Sony stereo cassette deck having RMS function. For more information on the availability of Sony stereo cassette deck with RMS capability, contact your nearest Sony dealer.

Turning on the power of each equipment



1 Press one of the SYSTEM CONTROL/FUNCTION buttons.

The receiver and the corresponding equipment are turned on.

2 Operate the units with each button.

The buttons you can operate differ among function mode. See "Operative Buttons".

Turning off the power of equipments

By pressing the SYSTEM OFF button, you can turn off the power of all equipments at one time.

Pressing the VISUAL POWER button would also turn off the TV, VCR, LD player. When you want to turn off the power while listening to a program source, see "Back ground operation" on page 17.

Operative buttons

For FM/AM tuner

To	Press
Select memory pages for preset tuning	SHIFT
Designate preset numbers	Numeric buttons
Scan and select preset stations	CH PRESET +/-
Select station index names	INDEX

For tape deck/DAT/MD recorder

To	Press
Designate numbers	Numeric buttons
Designate number more than 10 (For tape deck and MD recorder)	>10
Fastforward	▶▶
Rewind	◀◀
Skip selections (For DAT and MD recorder)	▶▶, ◀◀
Pause play	
Start play	▶
Start reverse play (For tape deck)	◀
Select the tape running direction (For tape deck having RMS function)	RMS DIRECTION
Stop play	■
Clear the RMS program contents (For tape deck having RMS function)	RMS CLEAR
Start recording (Forward direction)	● + ▶
Start recording (Reverse direction for tape deck)	● + ◀
Program selections (For tape deck having RMS function)	RMS/START

For TV/VCR/LD player

To	Press
Designate channel numbers of TV/VCR or selections of LD player	Numeric buttons
Designate selections of LD player more than 10	>10
Enter the selected TV/VCR channel	ENTER
Select TV to see TV programs and VIDEO to see videos.	TV/VIDEO
Select the output signal from the antenna terminal on the VCR: a TV signal or VCR program (For VCR)	ANT TV/VTR
Select a preset channel of TV or VCR	CH PRESET +/-
Fastforward (For VCR and LD player)	▶▶
Rewind (For VCR and LD player)	◀◀
Pause play (For VCR and LD player)	
Start play (For VCR and LD player)	▶
Stop play (For VCR and LD player)	■
Skip selections (For LD player)	▶▶, ◀◀
Start recording (For VCR)	● + ▶
Turn on the power of TV, VCR, or LD player	VISUAL POWER

For CD player

To	Press
Designate numbers	Numeric buttons
Designate number more than 10	>10
Skip discs	D.SKIP
Search selections	▶▶, ◀◀
Skip selections	▶▶, ◀◀
Pause play	
Start play	▶
Stop play	■

If you use Sony TV

When you press the VIDEO 1, 2, 3 (STR-D915 only), TV or LD button, the power of the TV (VCR or LD player) is also turned on.

When an LD player or VCR is selected, the input of TV switches to VIDEO, and when TV is selected, the input of TV switches to TV reception mode. (When you want to turn on the power of TV and switch the TV input simultaneously, keep pressing the button you have selected until its power is turned on, or press the button again after the TV is turned on.)

If the TV input does not switch to the appropriate mode, switch the input signal by pressing the TV/VIDEO button.

If you use TV most of the time (Only for Sony TV)

You set the remote to operate only the TV. Press the TV CONTROL ON button. The remote buttons would work only with TV. When you press it, the TV turns on and switches to TV reception mode automatically.

(When you want to perform the turning on the power of TV and the switching of the TV input simultaneously, press the TV CONTROL ON button until its power is turned on, or press the button again after the TV is turned on.)

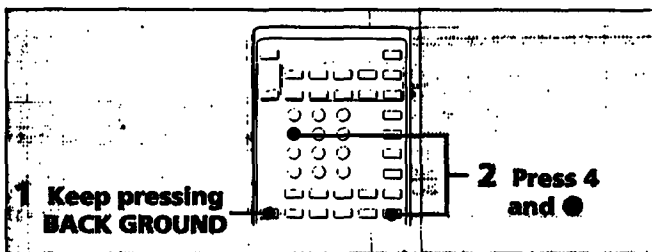
If the TV input does not switch to the appropriate mode, switch the input signal with the TV/VIDEO button.

Back ground operation

You can temporarily operate other components while listening to/watching a program source.

Press one of the numeric button* in which a function is stored and an operation button at the same time while pressing BACK GROUND button. The operative buttons are VISUAL POWER, TV/VIDEO, CH PRESET +/-, ANT TV/VTR, D.SKIP, ▶▶, ◀◀, ■, ▶▶, ◀◀, ▶▶, ◀◀, ||, ●.

Example: To record the CD being played on tapes.



* For stored functions in numeric buttons, see the table in "Changing the Settings of the FUNCTION buttons".

Note

You can record only in the forward direction with back ground operation.

Changing the Settings of the FUNCTION Buttons

You can replace the functions stored in the FUNCTION buttons.

Hold down one of the FUNCTION buttons you want to change and press one of the numeric (1 to 0) buttons to select the desired function.

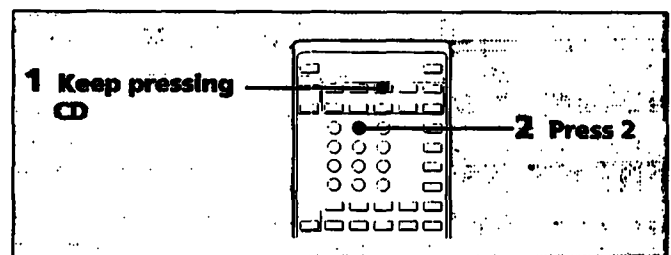
After changing the setting of the FUNCTION button, the equipment can be operated with the FUNCTION button you have changed.

To return the function to the initial mode, perform the same operation above.

With the numeric buttons from 1 to 0, each function can be selected as described in the following table:

Numeric buttons	The function to be selected
1	CD player
2	DAT deck
3	MD recorder
4	DECK A
5	DECK B
6	LD player
7	VCR 1 (Remote control mode)
8	VCR 2 (Remote control mode)
9	VCR 3 (Remote control mode)
0	TV

Example: To change the CD FUNCTION button to the DAT function button.



Note

The settings of the TUNER button and the PHONO button cannot be changed.